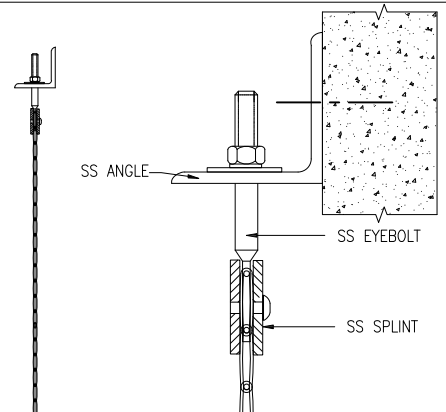
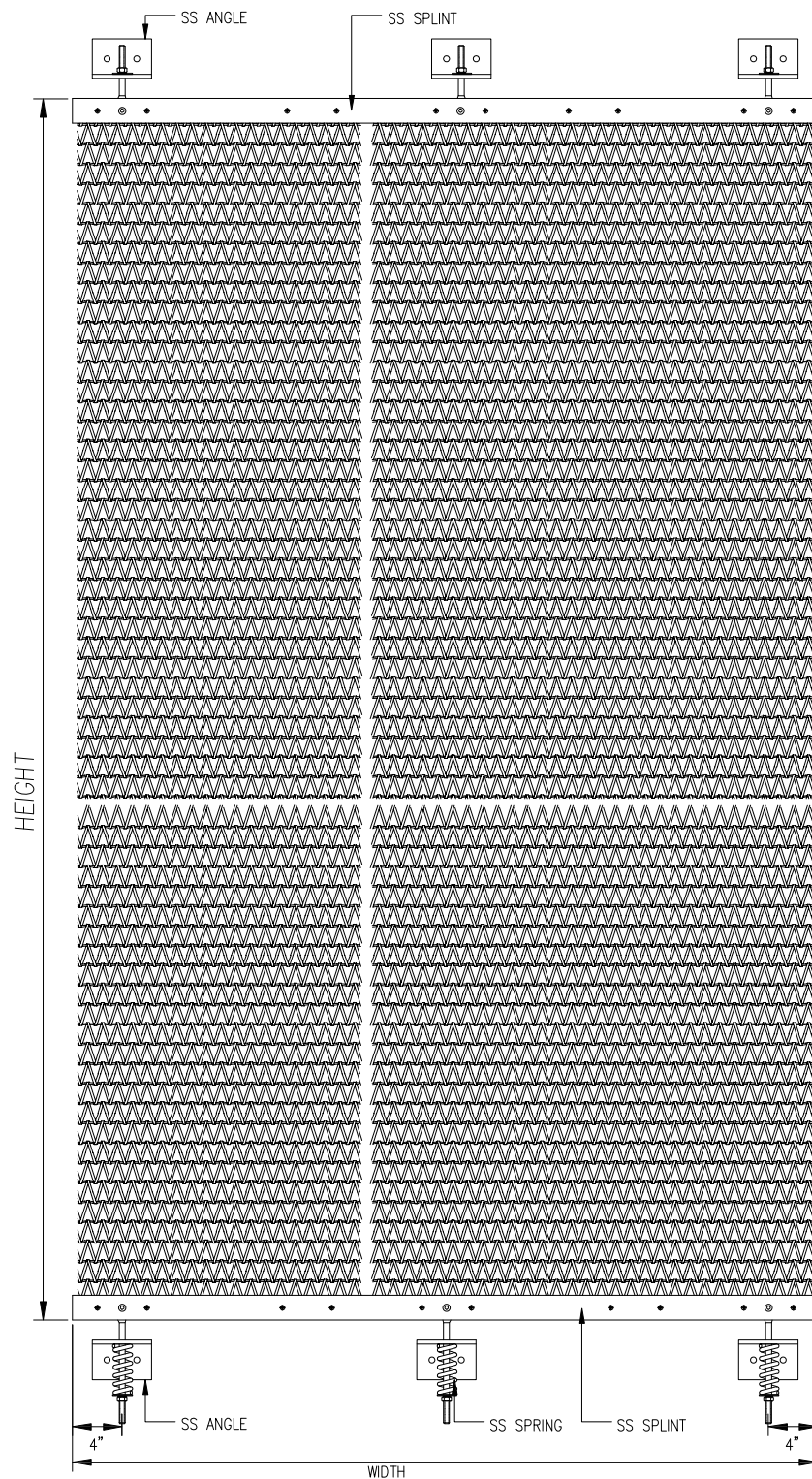
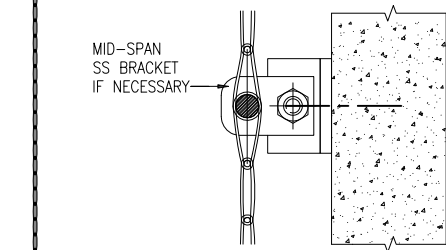


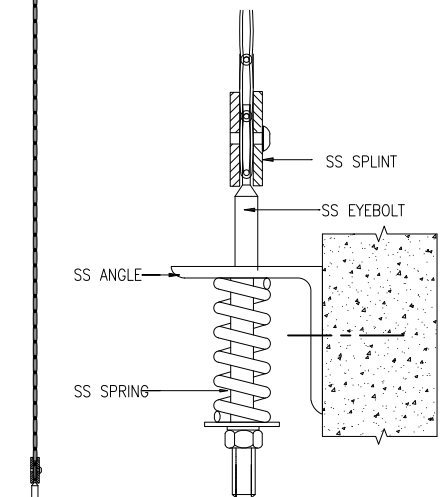
Metal Mesh System



HEAD DETAIL



MID-SPAN DETAIL



SILL DETAIL