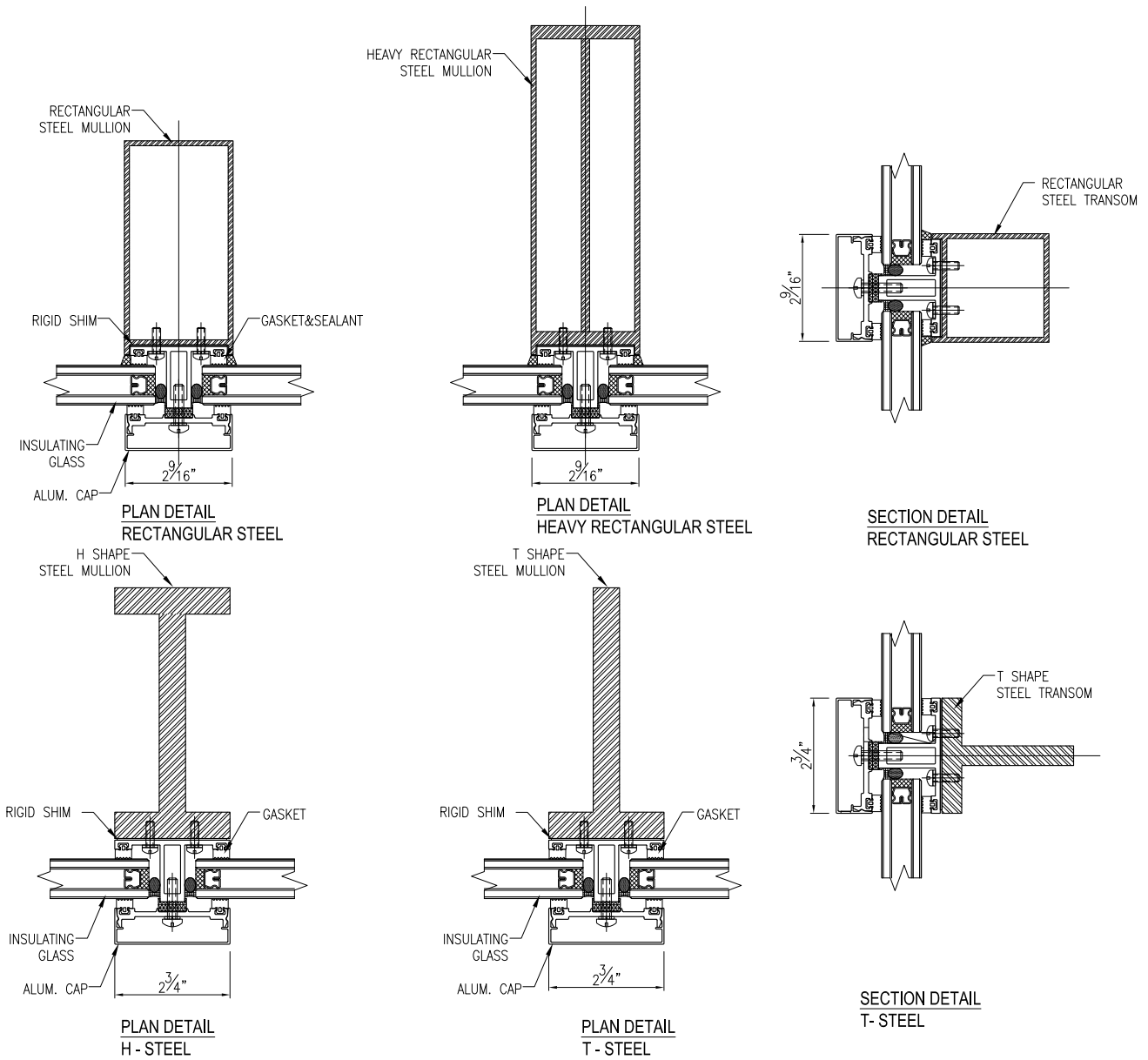


Steel Stick Wall System



- ESPECIALLY SUITABLE FOR HIGH SPAN CURTAIN WALL
- GOOD CORROSION RESISTANCE PERFORMANCE
- BETTER FIRE-PROTECTION THAN ALUMINUM CURTAIN WALL
- LARGE VARIETY OF COLORS