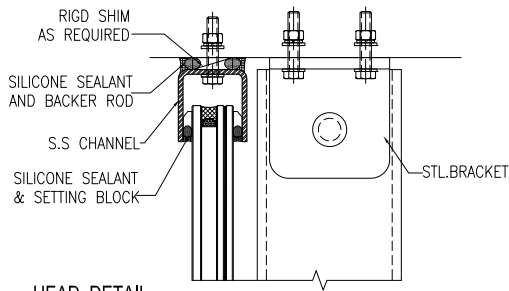
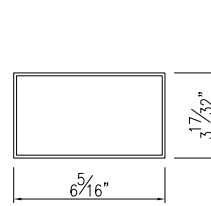


Metal Fin/Frame Wall System

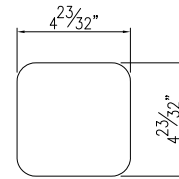
W/ Patch Fittings



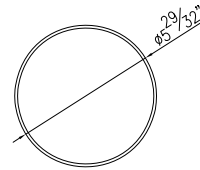
HEAD DETAIL



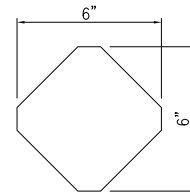
RECTANGLE PATCH FITTING



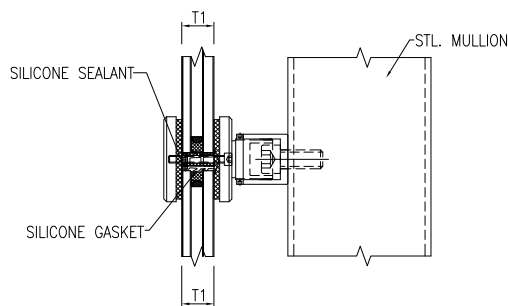
SQUARE PATCH FITTING



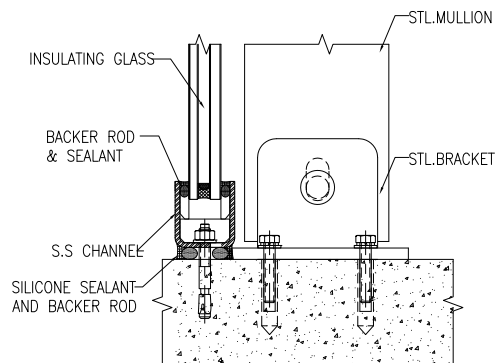
ROUND PATCH FITTING



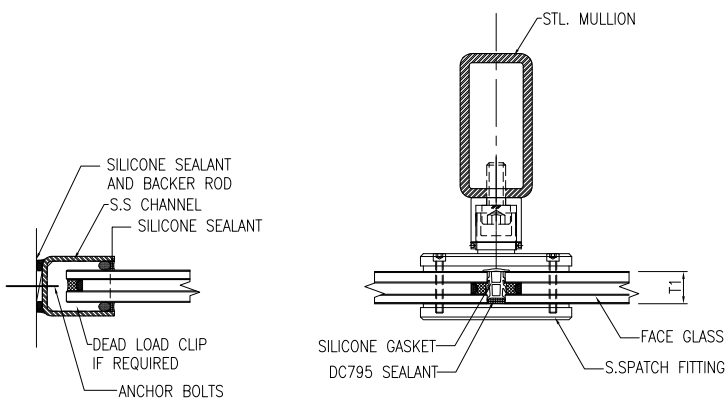
RHOMBUS PATCH FITTING



SECTION DETAIL



SILL DETAIL



PLAN DETAIL

JAMB DETAIL

• PATCH FITTING CAN BE SQUARE, RECTANGLE, RHOMBUS OR ROUND