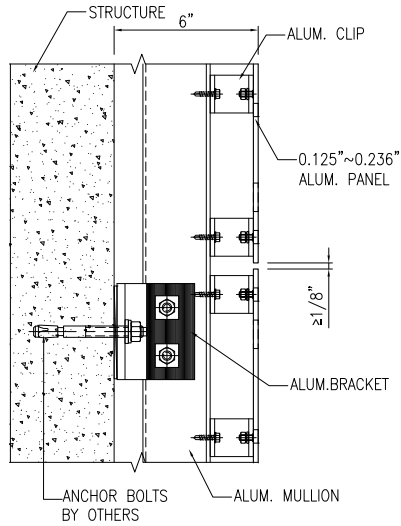
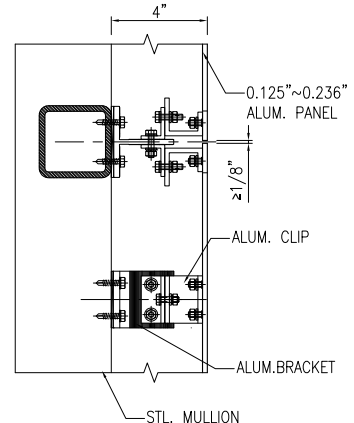


Metal Panel System

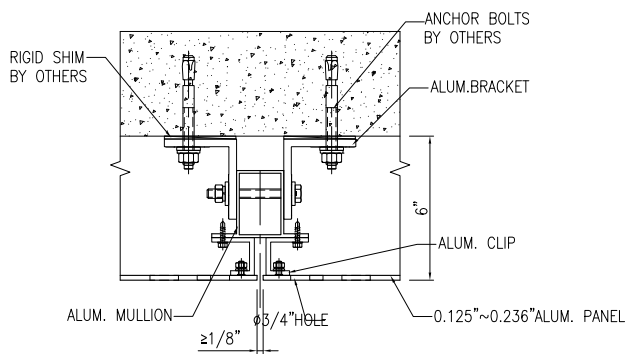
Perforated Panel System



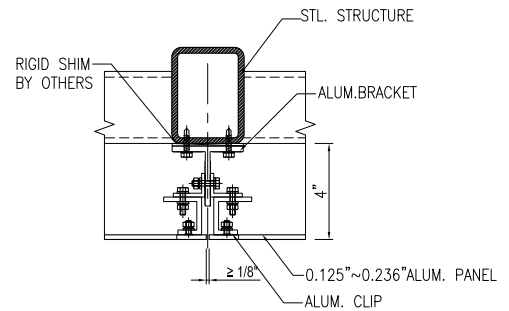
TYPICAL SECTION DETAIL
EXTERIOR FIXING



TYPICAL SECTION DETAIL
INTERIOR FIXING



TYPICAL PLAN DETAIL
EXTERIOR FIXING



TYPICAL PLAN DETAIL
INTERIOR FIXING

- PANELS CAN BE MONO-CURVED ,HYPERBOLOID,OR ANY SHAPE
- PANELS ARE FIXED IN EITHER VERTICAL OR HORIZONTAL DIRECTIONS BY CLIPS AND STAINLESS STEEL SCREWS.
- OPEN JOINT,NO CONTAMINATION DUE TO SEALANT
- PERFORATED PATTERN CAN BE CUSTOM
- JOINT WIDTH CAN BE AS NARROW AS 1/8"