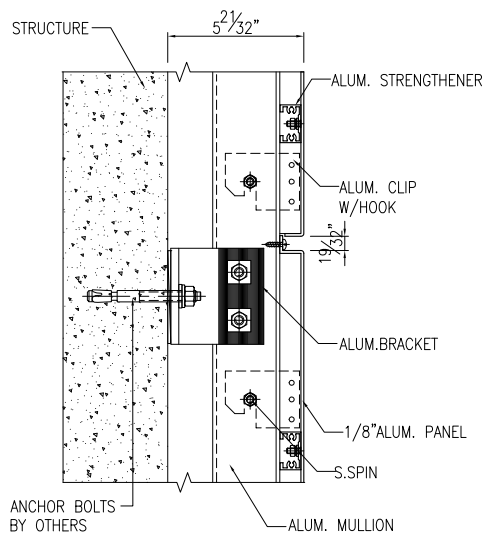
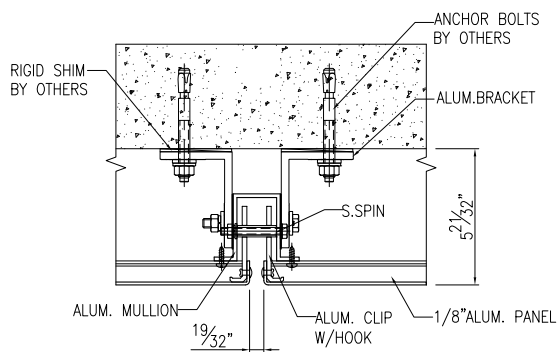


Metal Panel System

Open Joint / Hook- on System



TYPICAL SECTION DETAIL



TYPICAL PLAN DETAIL

- PANELS ARE FIXED IN VERTICAL DIRECTION BY HOOK
- NO HORIZONTAL FRAME
- OPEN JOINT, JOINT WIDTH CAN BE AS NARROW AS 1/4"
- NO CONTAMINATION DUE TO SEALANT
- CONCEALED FIXING , NO EXPOSED FASTENER