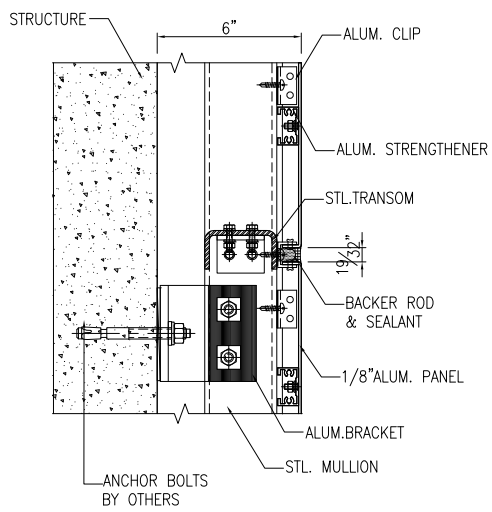
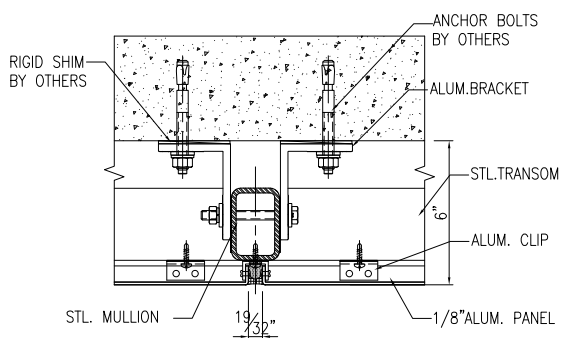


**Metal Panel System**

**Typical Stick Wall System**



**TYPICAL SECTION DETAIL**



**TYPICAL PLAN DETAIL**

- PANELS ARE FIXED IN BOTH VERTICAL AND HORIZONTAL DIRECTIONS BY ALUM CLIPS AND STAINLESS STEEL SCREWS.
- SILICONE SEALANT JOINT
- EXCELLENT WATERPROOF & AIRTIGHT PERFORMANCE