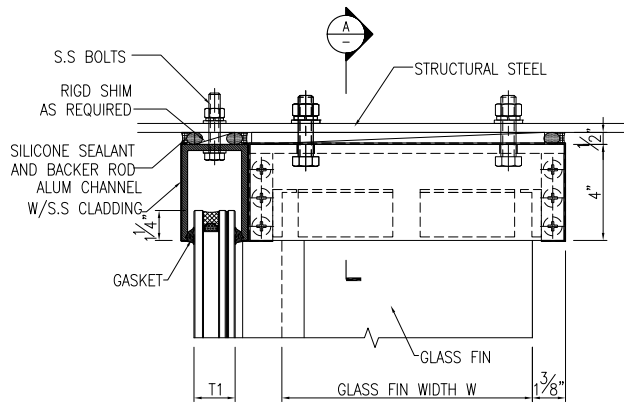
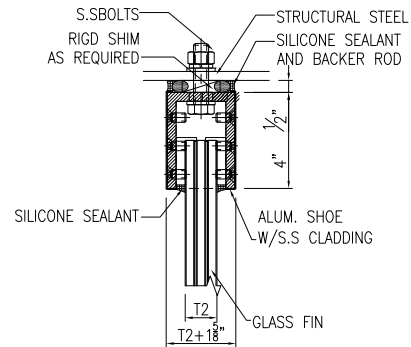


**Glass Fin Wall System**

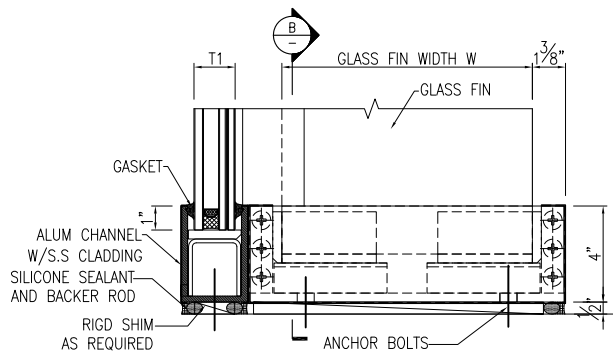
**W/Toggle System**



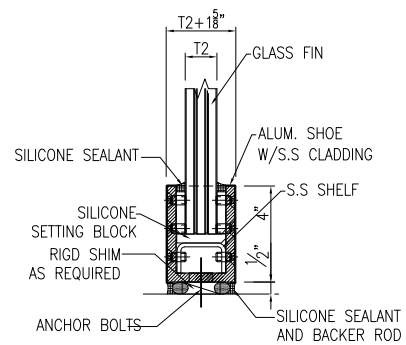
**HEAD DETAIL**



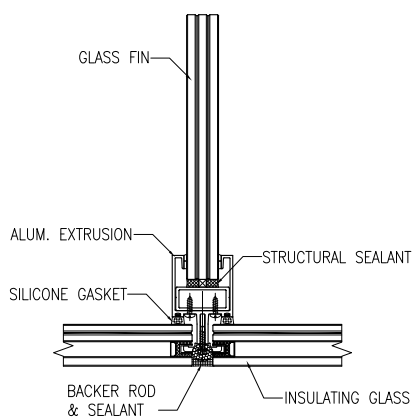
**SECTION A-A**



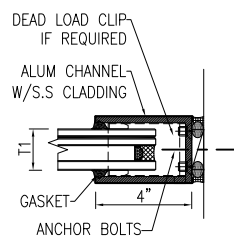
**SILL DETAIL**



**SECTION B-B**



**TYPICAL PLAN DETAIL**



**JAMB DETAIL**