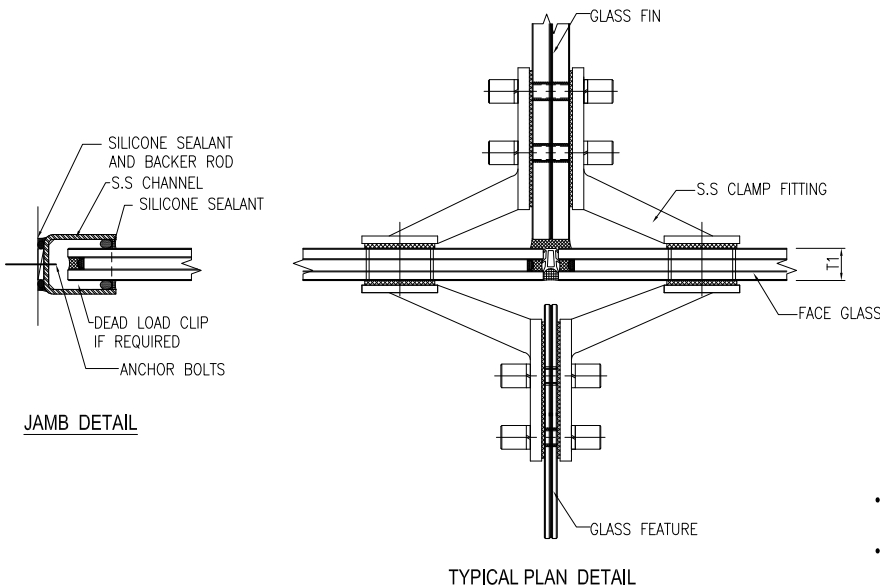
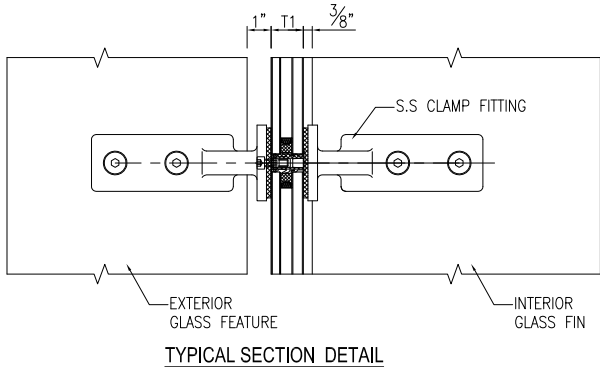
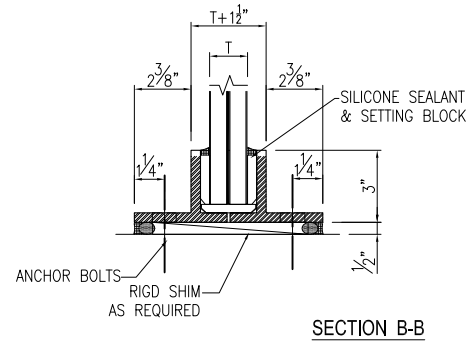
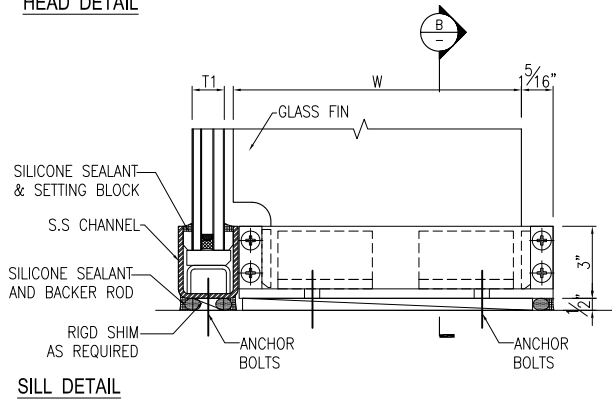
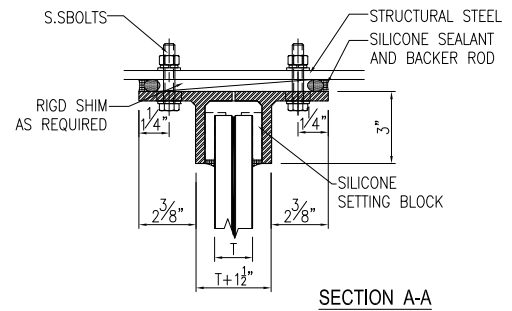
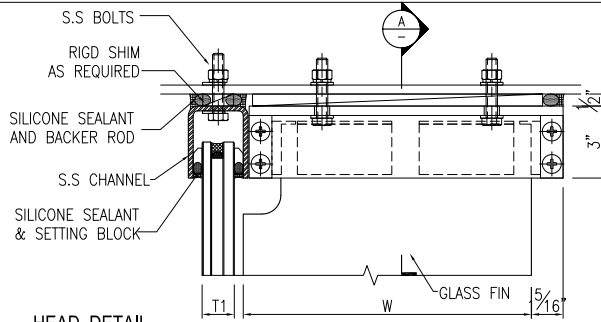


Glass Fin Wall System

W/Vertical Decorative Feature



JAMB DETAIL

- IF NECESSARY, HORIZONTAL TENSION ROD IS USED FOR LATERAL STABILITY
- IF NECESSARY, STAINLESS STEEL SPLICE CAN BE USED TO ASSEMBLE GLASS SEGMENTS
- BOTH BOTTOM-SUPPORTED SYSTEM AND TOP-HUNG SYSTEM ARE SUITABLE