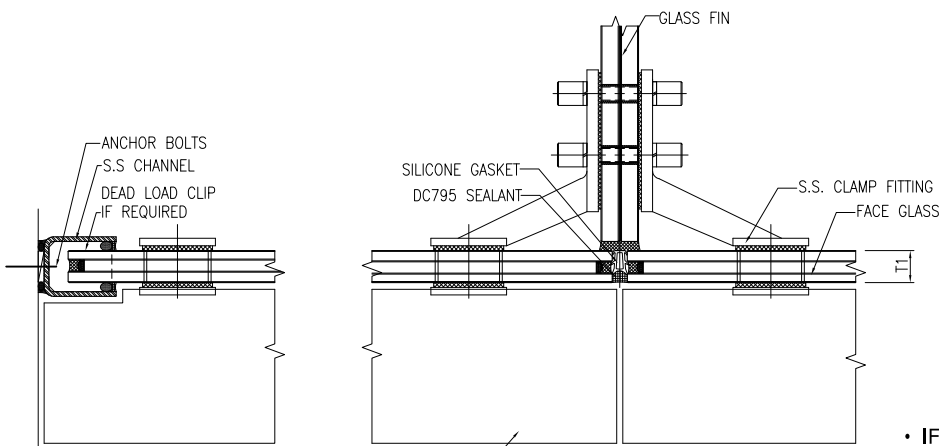
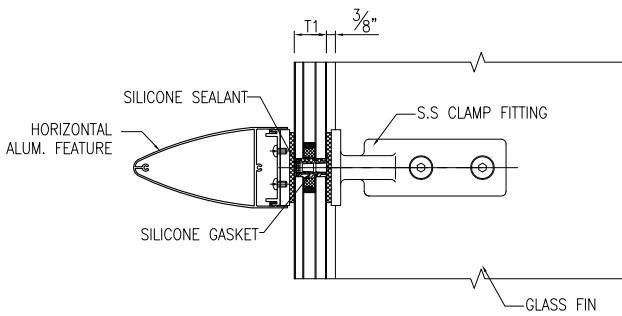
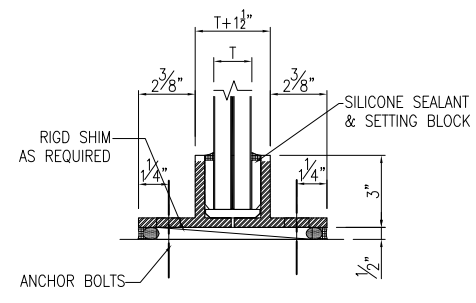
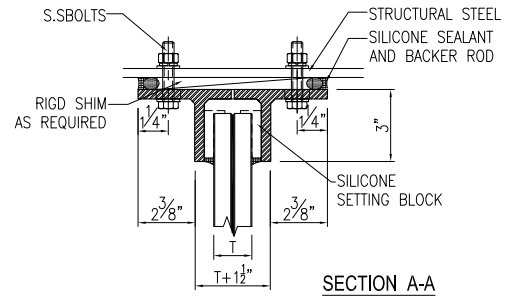
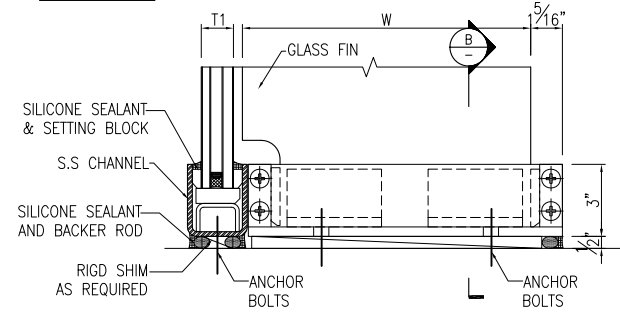
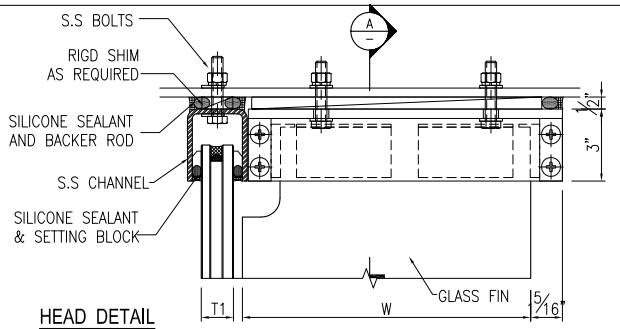


Glass Fin Wall System

W/Horizontal Decorative Feature



- IF NECESSARY, HORIZONTAL TENSION ROD IS USED FOR LATERAL STABILITY
- IF NECESSARY, STAINLESS STEEL SPLICE CAN BE USED TO ASSEMBLE GLASS SEGMENTS
- BOTH BOTTOM-SUPPORTED SYSTEM AND TOP- HUNG SYSTEM ARE SUITABLE