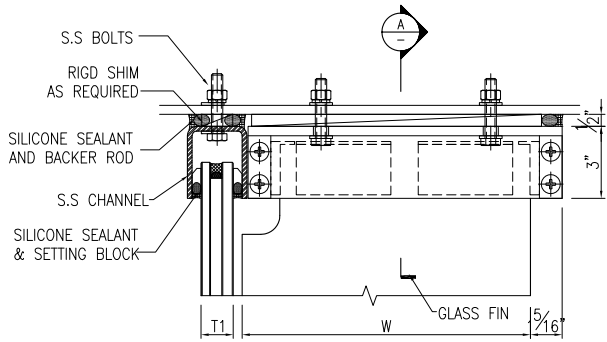
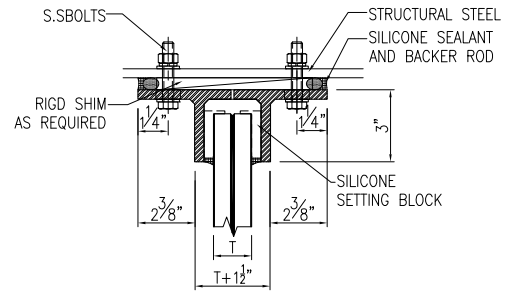


Glass Fin Wall System

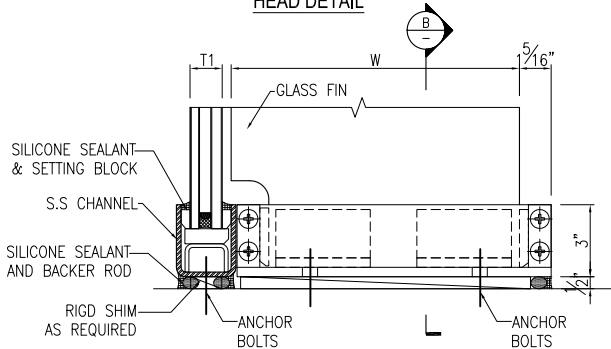
W/Patch Fittings



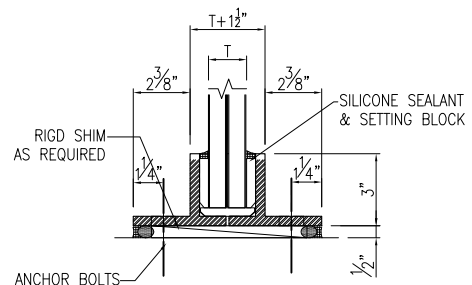
HEAD DETAIL



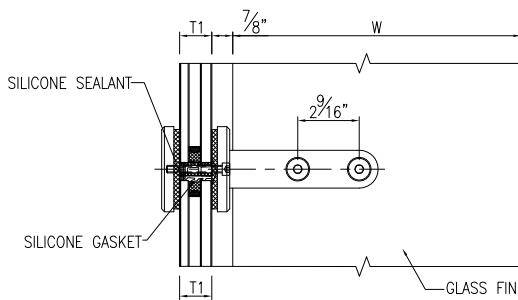
SECTION A-A



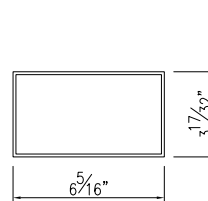
SILL DETAIL



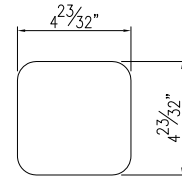
SECTION B-B



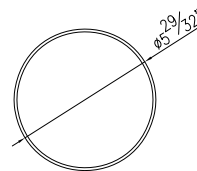
TYPICAL SECTION DETAIL



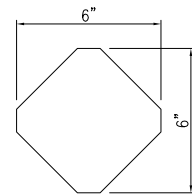
RECTANGLE PATCH FITTING



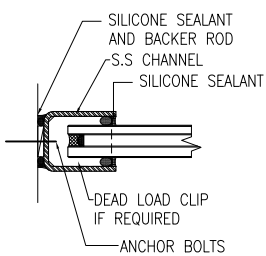
SQUARE PATCH FITTING



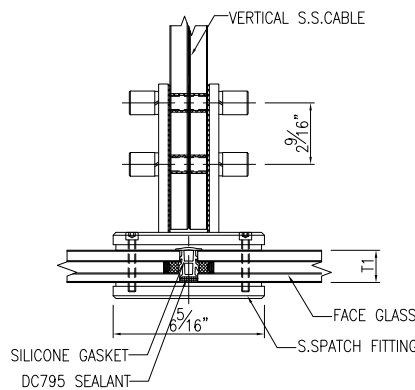
ROUND PATCH FITTING



RHOMBUS PATCH FITTING



JAMB DETAIL



TYPICAL PLAN DETAIL

- IF NECESSARY, HORIZONTAL TENSION ROD IS USED FOR LATERAL STABILITY
- IF NECESSARY, STAINLESS STEEL SPLICE CAN BE USED TO ASSEMBLE GLASS SEGMENTS
- BOTH BOTTOM-SUPPORTED SYSTEM AND TOP-HUNG SYSTEM ARE SUITABLE
- PATCH FITTING CAN BE SQUARE, RECTANGLE, RHOMBUS OR ROUND