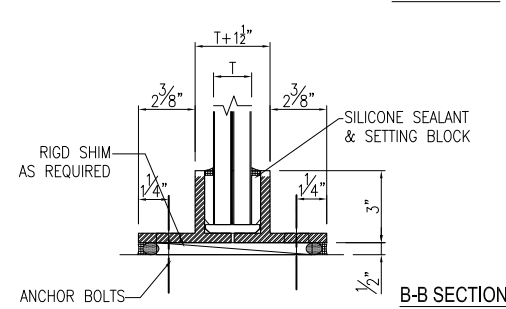
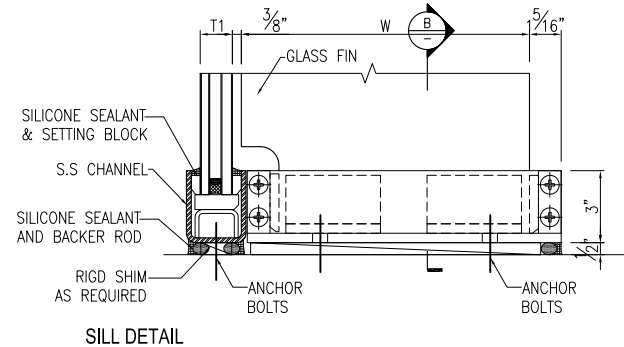
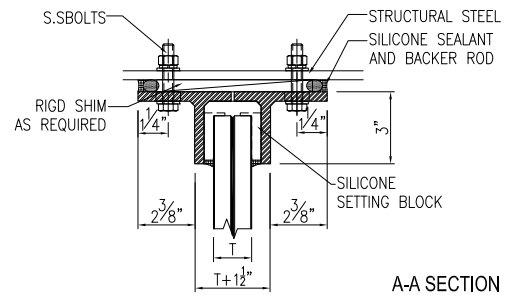
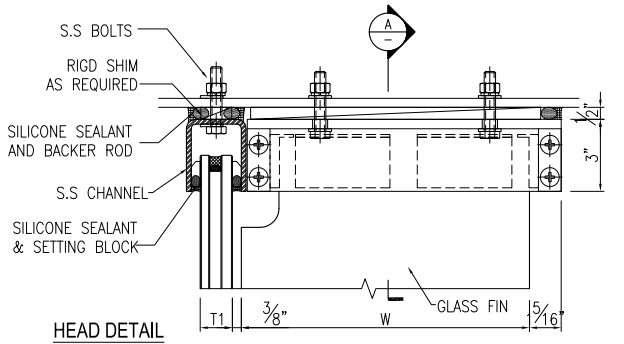
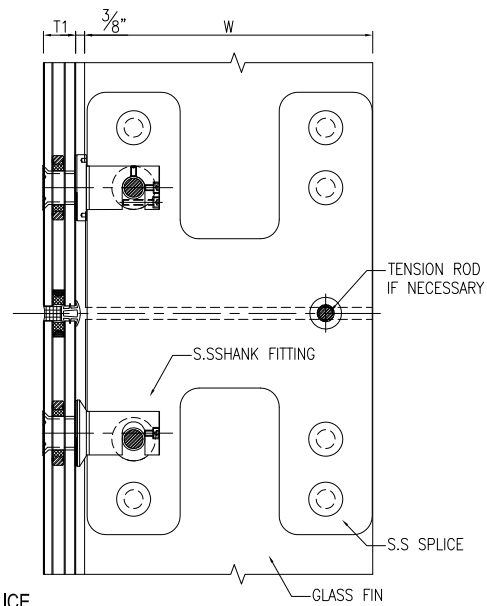
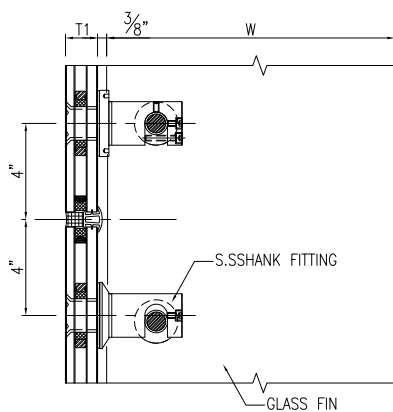


Glass Fin Wall System

W/Shank Fittings

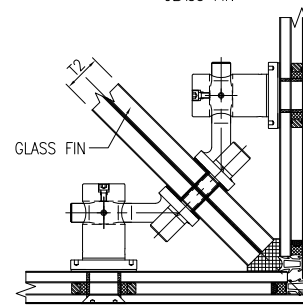
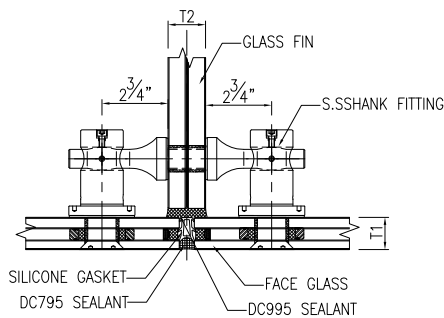
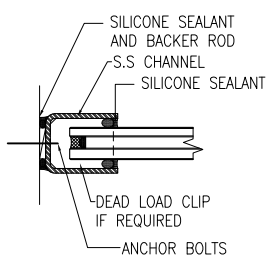


SILL DETAIL



TYPICAL SECTION DETAIL

SECTION DETAIL@ SPLICE



TYPICAL PLAN DETAIL

JAMB DETAIL

CORNER DETAIL

- IF NECESSARY, HORIZONTAL TENSION ROD IS USED FOR LATERAL STABILITY
- IF NECESSARY, STAINLESS STEEL SPLICE ASSEMBLE GLASS SEGMENTS
- BOTH BOTTOM-SUPPORTED SYSTEM AND TOP-HUNG SYSTEM ARE SUITABLE