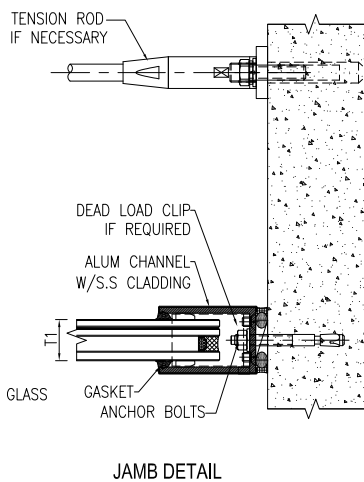
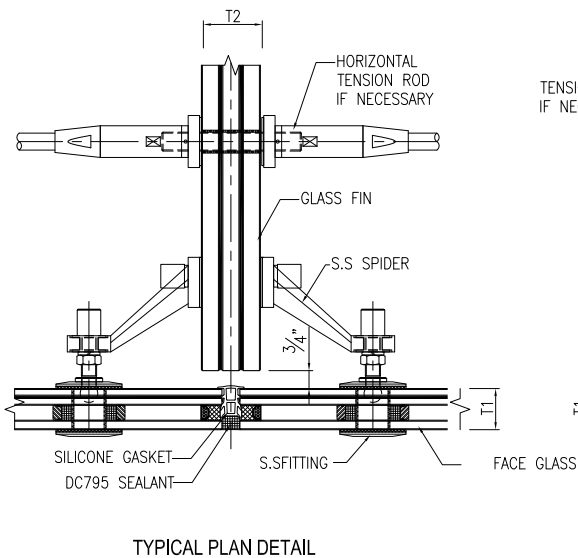
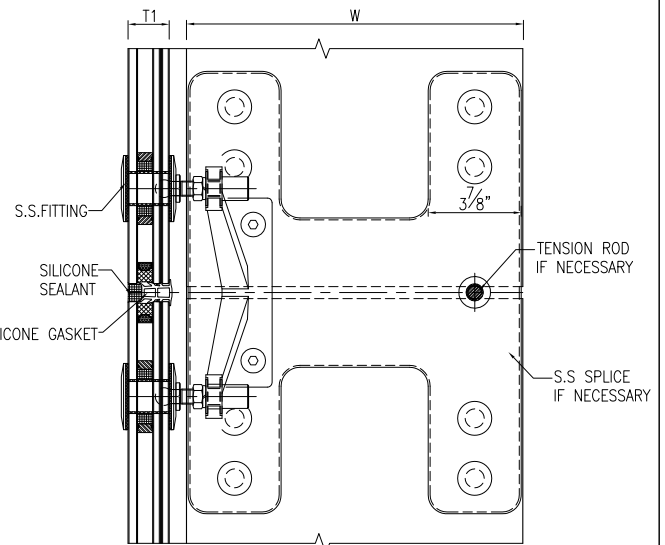
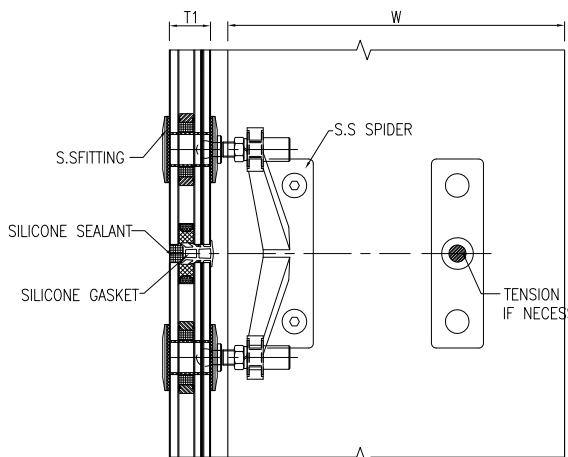
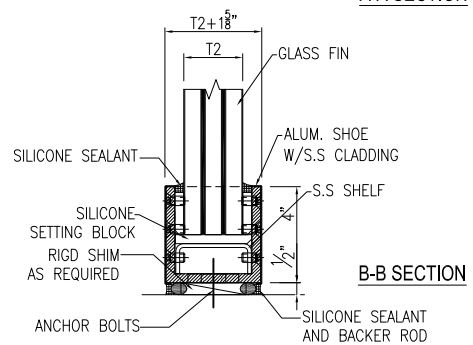
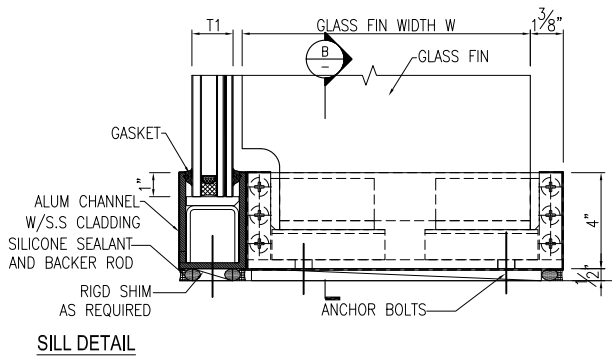
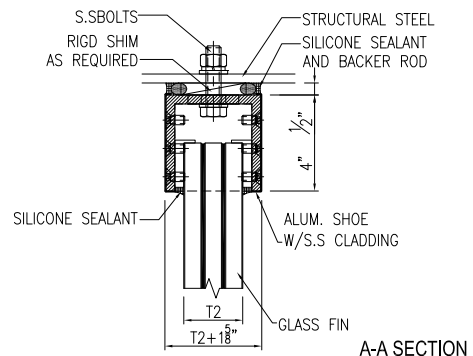
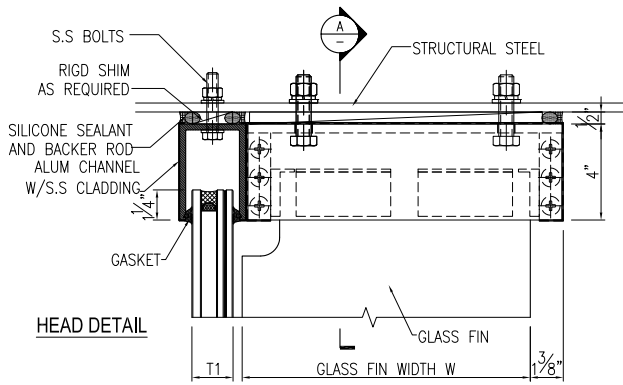


Glass Fin Wall System

W/Spider Fittings



- IF NECESSARY, HORIZONTAL TENSION ROD IS USED FOR LATERAL STABILITY
- IF NECESSARY, STAINLESS STEEL SPLICE CAN BE USED TO ASSEMBLE GLASS SEGMENTS
- BOTH BOTTOM-SUPPORTED SYSTEM AND TOP-HUNG SYSTEM ARE SUITABLE