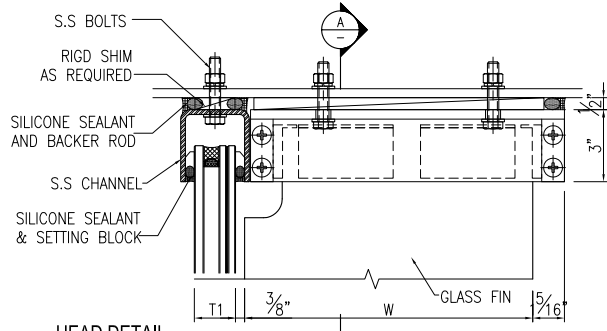
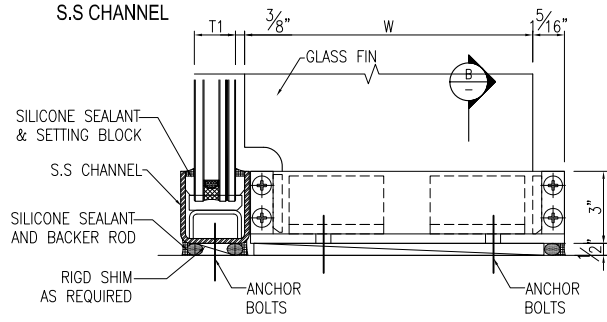


Glass Fin Wall System

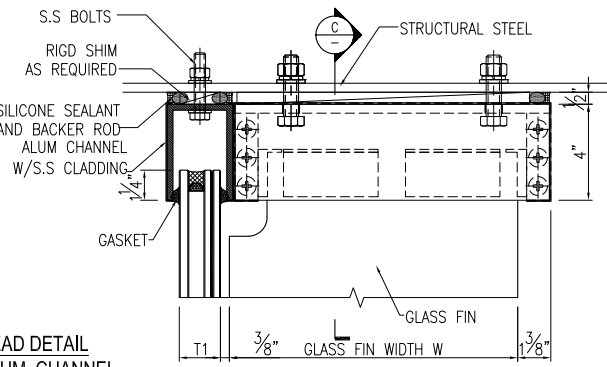
Structurally Silicone Glazed /Bottom Supported System



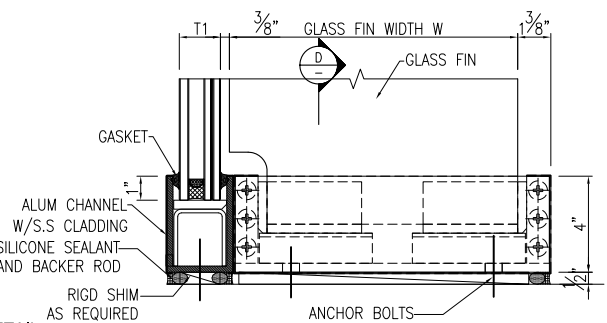
**HEAD DETAIL
S.S CHANNEL**



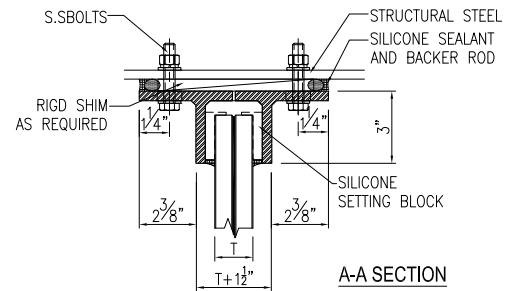
**SILL DETAIL
S.S CHANNEL**



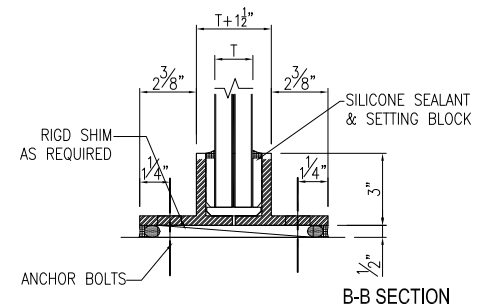
**HEAD DETAIL
ALUM. CHANNEL**



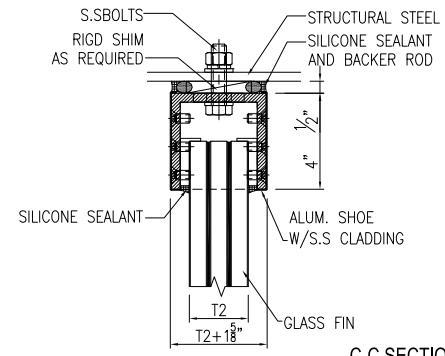
**SILL DETAIL
ALUM. CHANNEL**



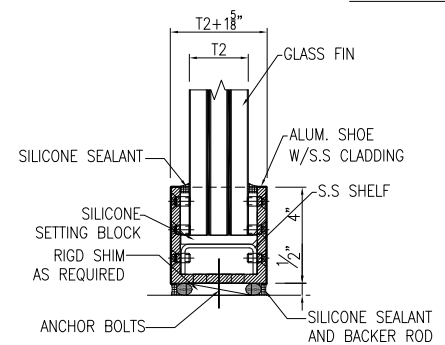
A-A SECTION



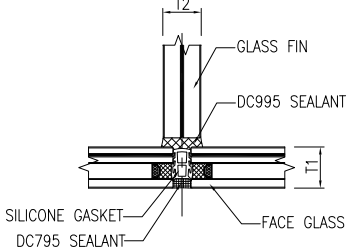
B-B SECTION



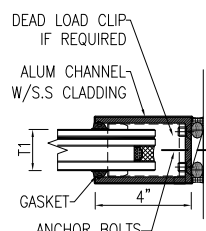
C-C SECTION



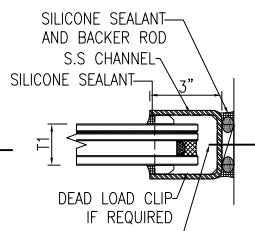
D-D SECTION



PLAN DETAIL



JAMB DETAIL (ALUM. CHANNEL)

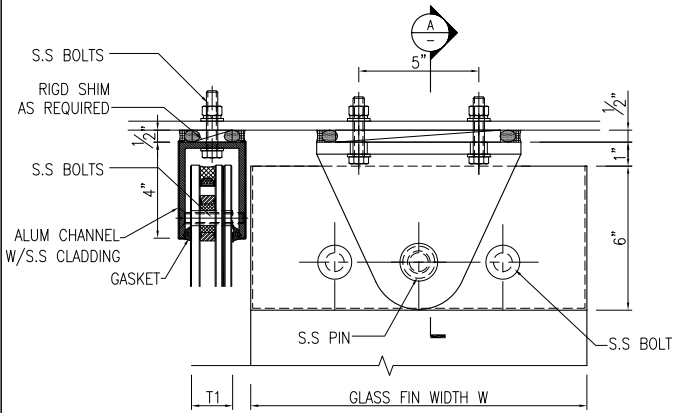


JAMB DETAIL (S.S.CHANNEL)

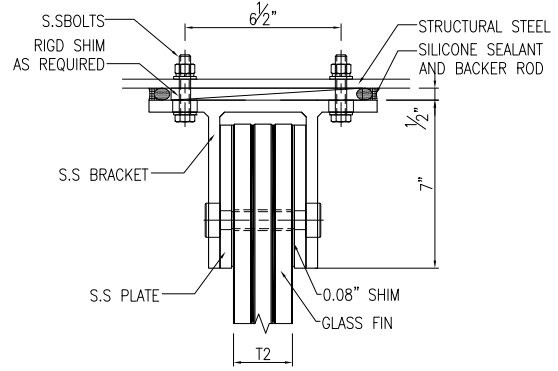
- STRUCTURAL SEALANT TRANSFERS WIND LOAD TO FIN
- CHANNELS AND SHOES CAN BE STAINLESS STEEL OR ALUMINUM W/ S.S.CLADDING

Glass Fin Wall System

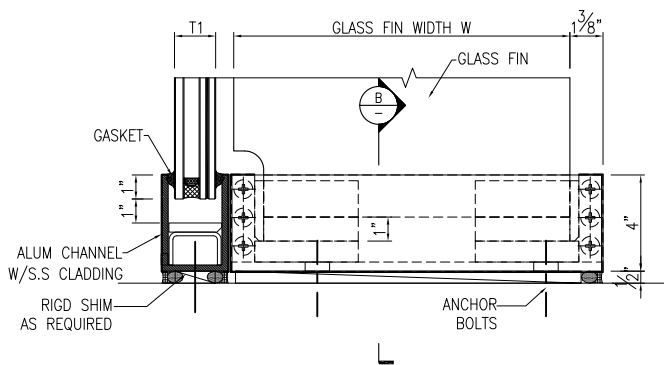
Structurally Silicone Glazed /Top Hung System



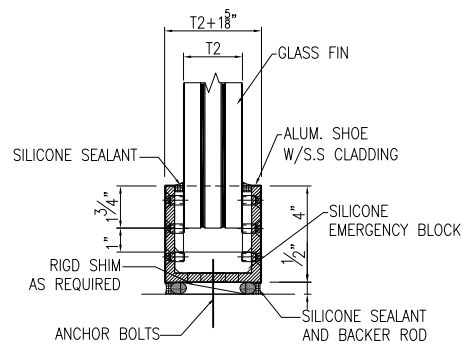
HEAD DETAIL



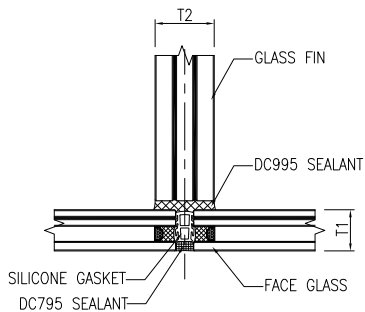
A-A SECTION



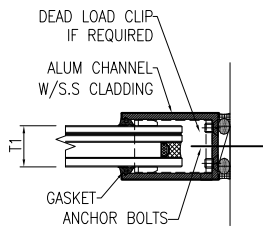
SILL DETAIL



B-B SECTION



PLAN DETAIL



JAMB DETAIL